


Lead Forming  
Taping Specifications

Fig.1 code: X

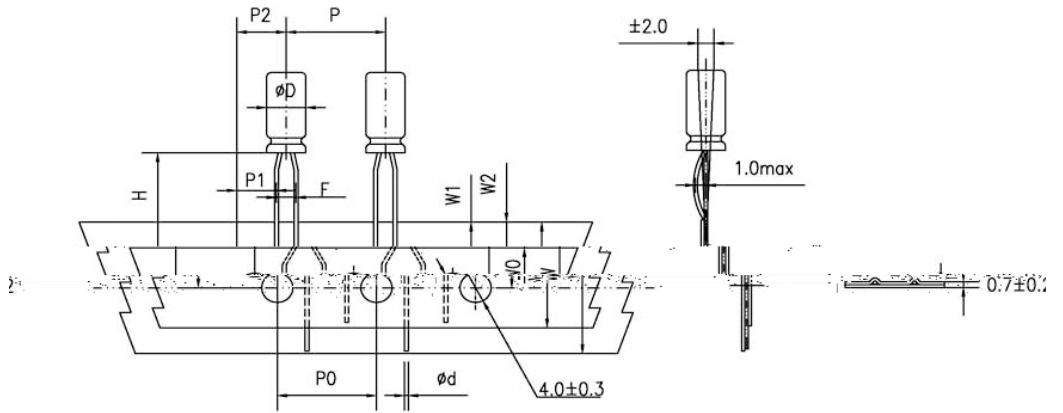


Fig.2 code: B

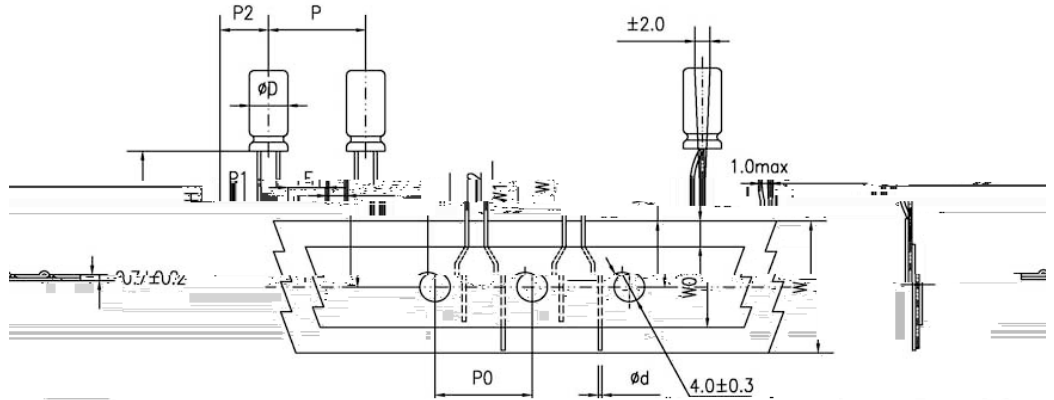


Fig.3 code: B

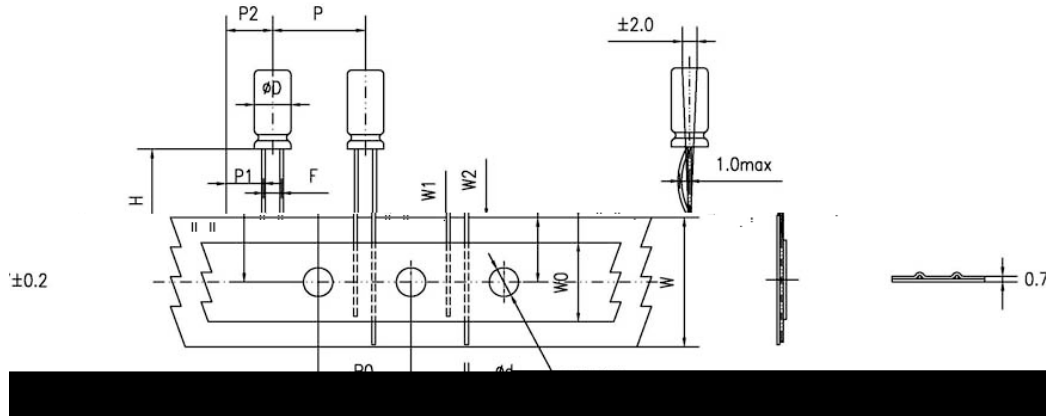
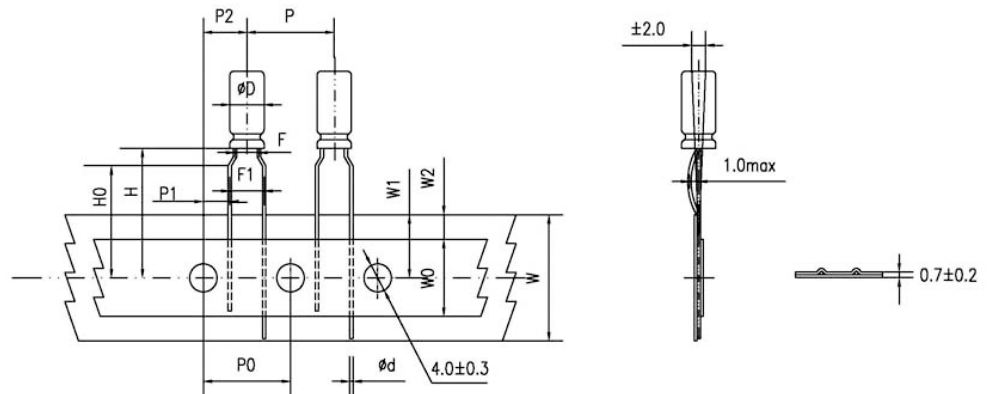
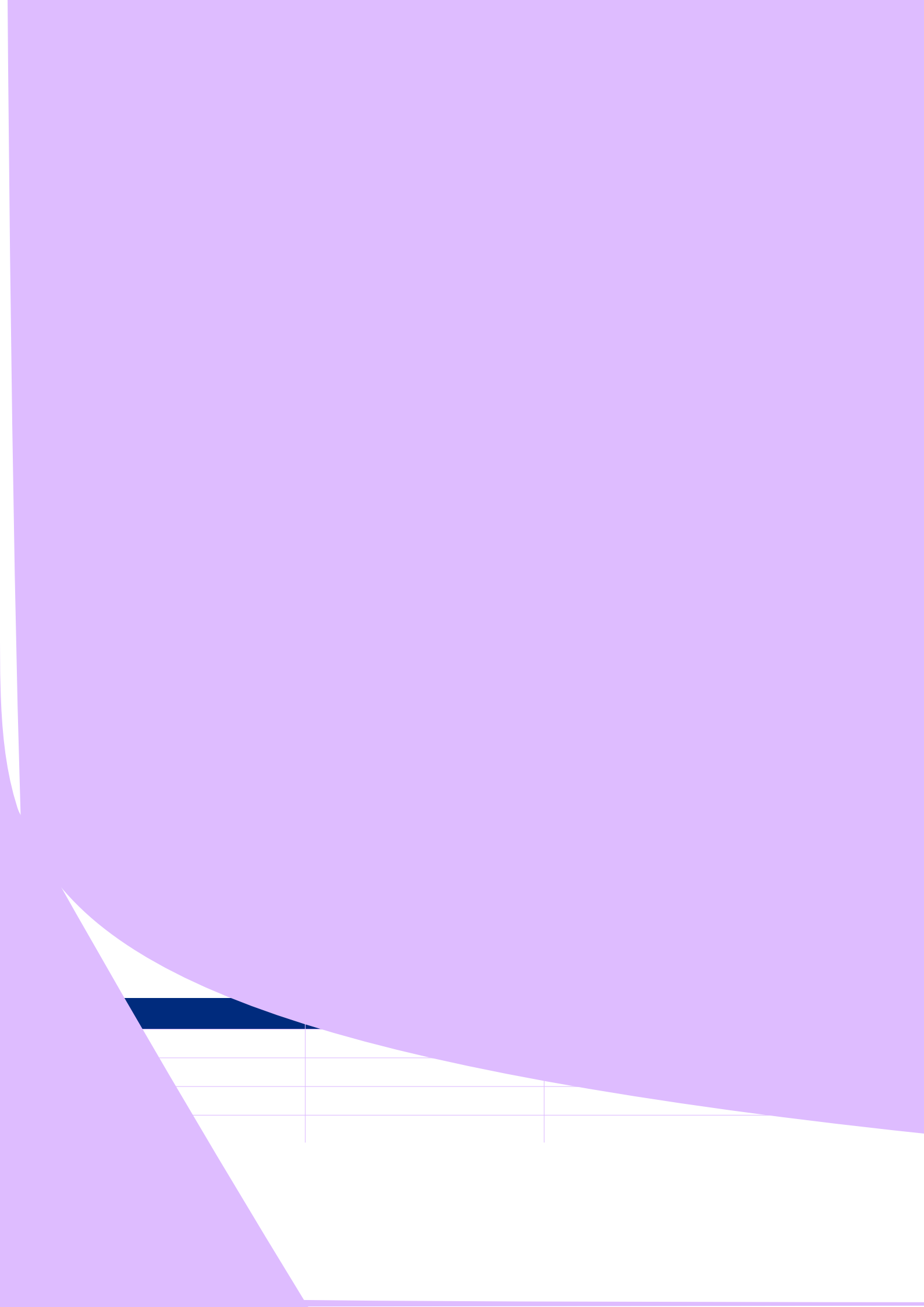


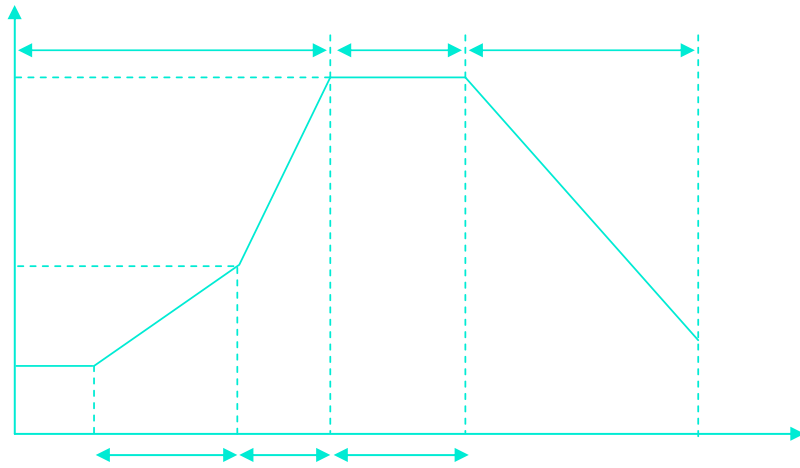
Fig.4 code: P



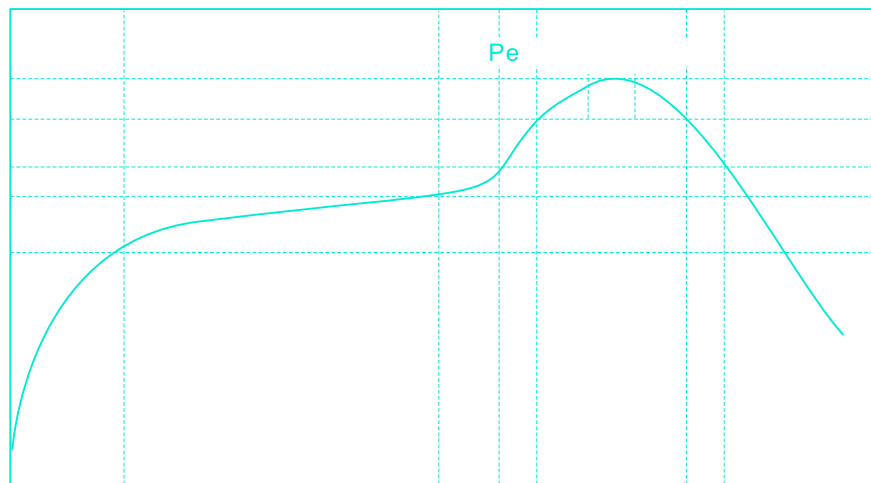
Items	Symbol	Case size									
		4*5 4*7									
Pin Code											
Lead wire diameter											
Pitch of body											
Feed hole pitch											
Distance from hole center to lead											
Distance from feed hole center to body center											
Lead-to-lead distance											
Height of body from tape center											
Base tape width											
Adhesive tape width											
Hole position											
Hole down tape position											

Items	Symbol	Case size									
Pin Code											
Lead wire diameter											
Pitch of body											
Feed hole pitch											
Distance from feed hole center t											





### Recommended Reflow Profile





**WH** 





**WH** series

STANDARD RATIN