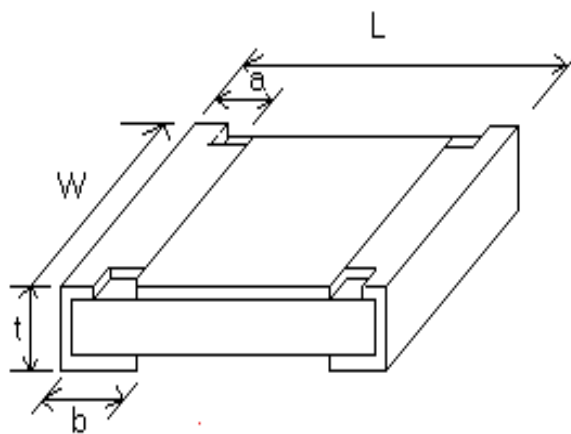


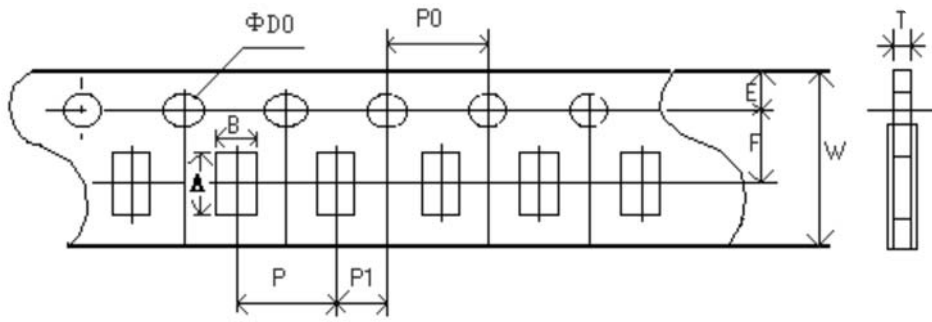
• 結構及規格尺寸 CONSTRUCTION AND DIMENSION



單位unit:mm

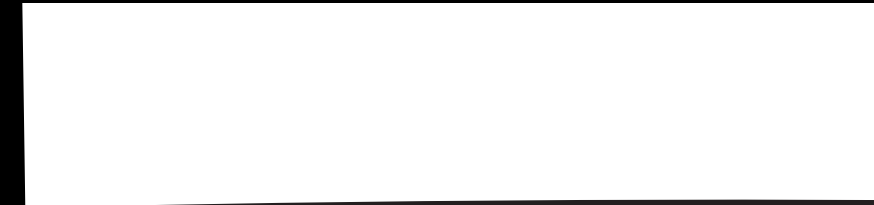
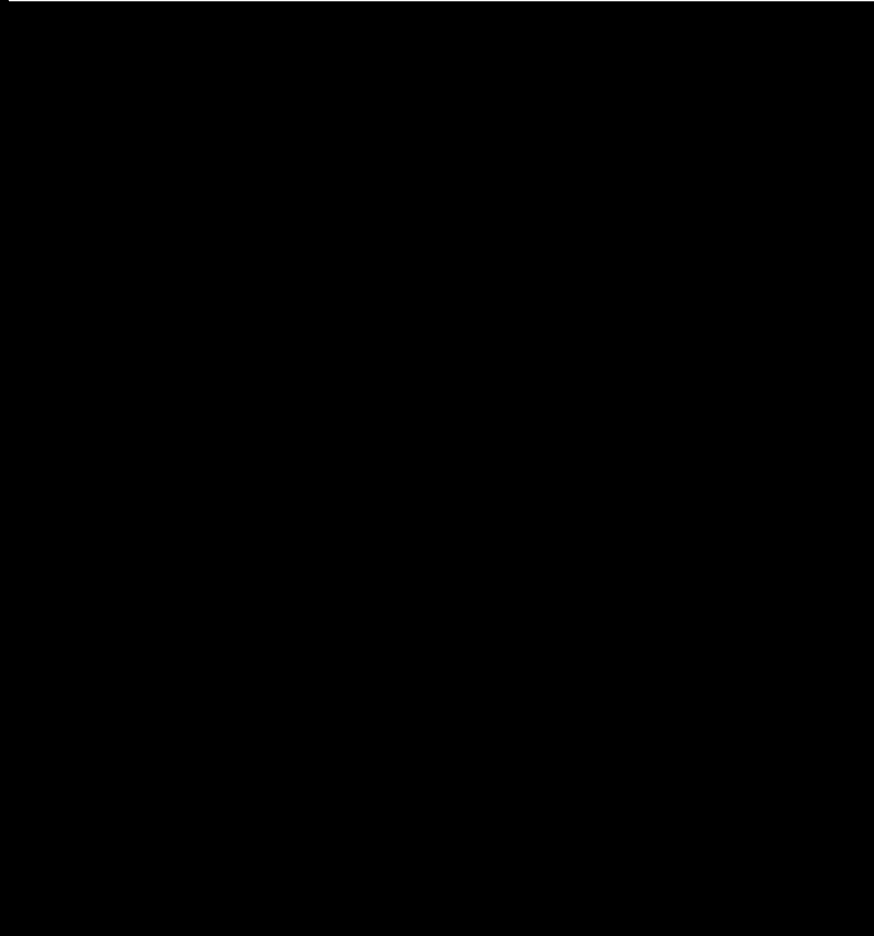
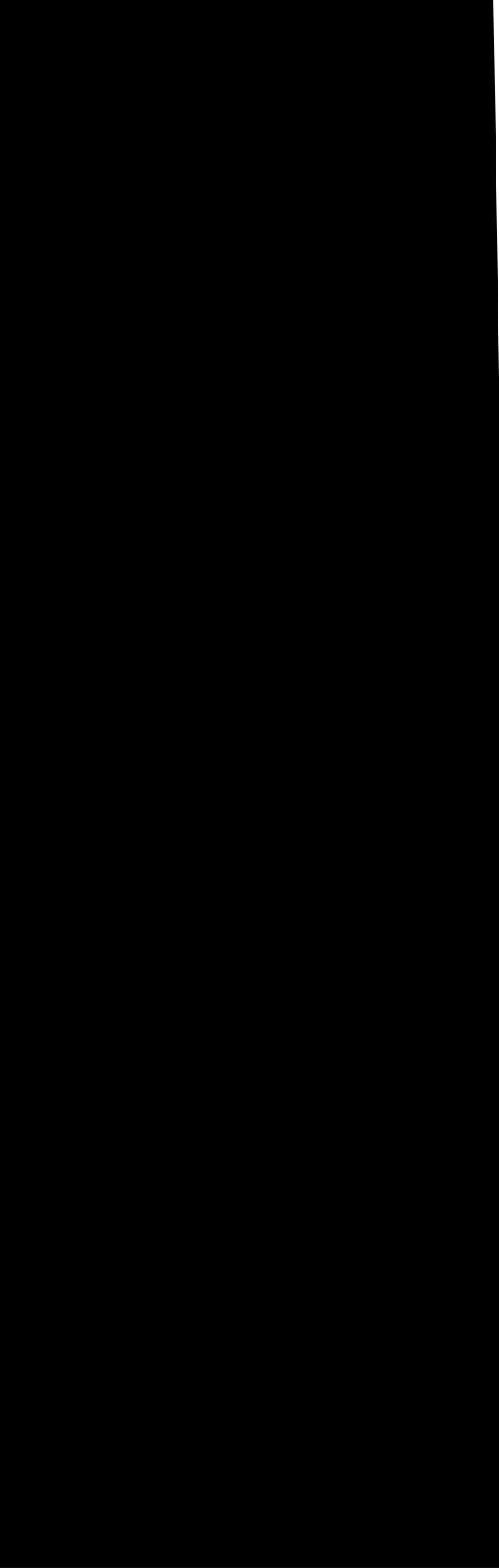
型號 TYPE	L	W	t	a	b
0402	1.00±0.10	0.50±0.10	0.30±0.10	0.20±0.10	0.25±0.10
0603	1.60±0.15	0.80±0.15	0.40±0.10	0.30±0.20	0.30±0.20
0805	2.00±0.20	1.25±0.15	0.50±0.10	0.30±0.20	0.40±0.20
1206	3.20±0.20	1.60±0.15	0.55±0.10	0.50±0.20	0.50±0.20

0603, 0805, 1206



單





$$(1) \left| \frac{\partial R(T)}{\partial R_N} \right| \cdot \Delta R_N : \quad R \pm 1\% \quad R$$

$$(2) \left| \frac{\partial R(T)}{\partial B} \right| \cdot \Delta B \quad R \pm 1\% \quad R$$

$$(3) \left| \frac{\partial R(T)}{\partial T} \right| \cdot \Delta T \quad R \pm 1\% \quad R$$

$$(4) \frac{\Delta R_{tr}}{RT} = \left| \frac{\partial R_{tr}}{\partial R_N} \right| + \left| \frac{\partial R_{tr}}{\partial T} \right|$$

$$= \frac{1}{R} \cdot \frac{dR}{dT} \quad (5)$$

T " " —
3 2 j

i JJ
(d isto ted N TC
N TC

— NTC

PVI = dH/dt - O(T - T_A) + C_{th} dT/dt (7)

P (W/O) NTC W
V: NTC (W) NTC
I NTC A T_A
dH/dt C_{th} NTC W/
dT/dt

— — — —

8 f I K
m w o d p d T(11 8 V/1 T2 8 5

o V_I/C (T₂ - T₁) P/C (T₂ - T₁) (12)
Them athm eoa sta th C

6 3 2%

$$- C dT = H(T - T_A) dt \quad (a) \quad \sigma(T_A - T) = C_{th} \frac{dT}{dt} \quad (b)$$