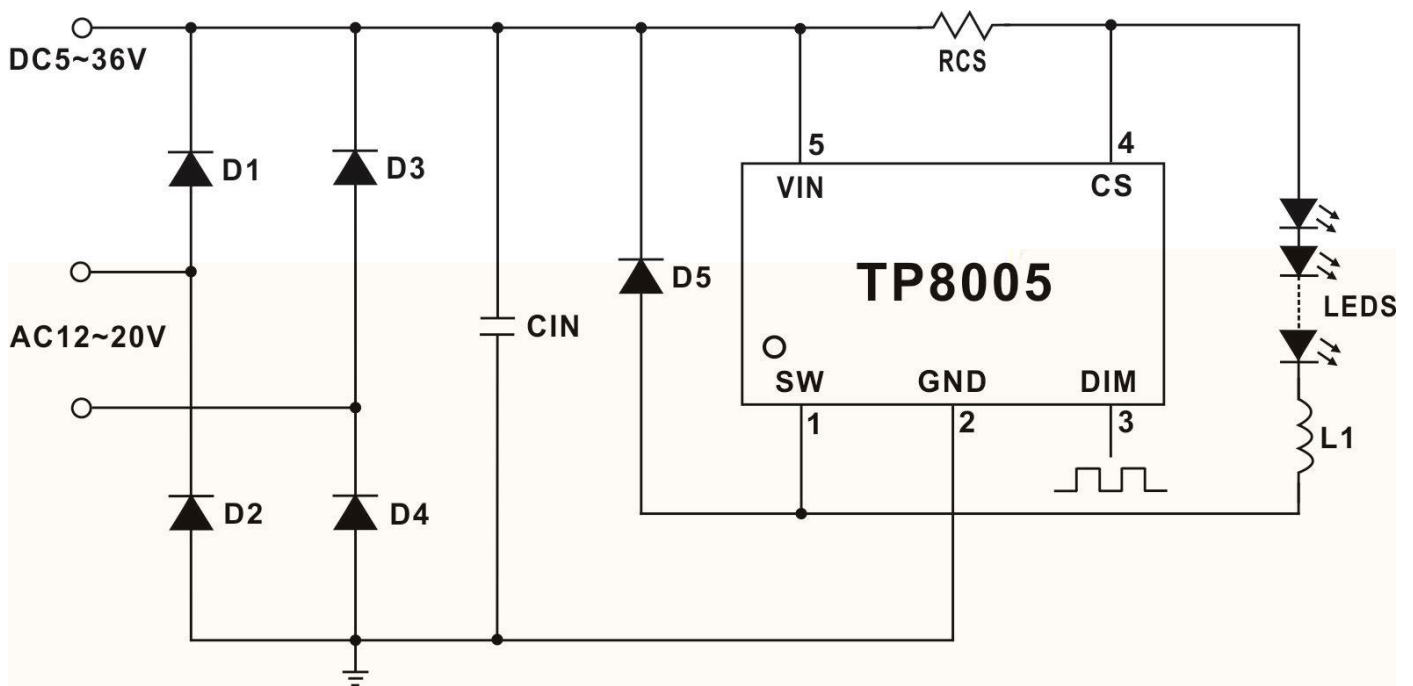
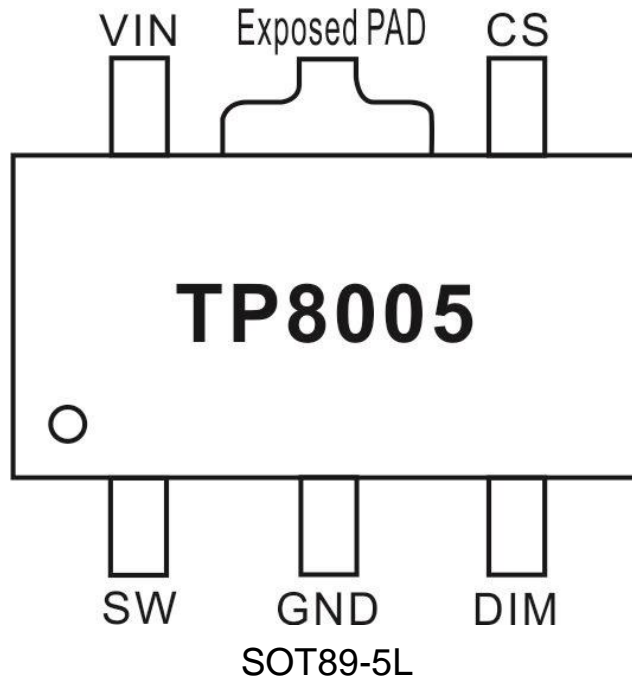


- TP8005 LED
- 5V~36V
- 1.2A
- TP8005 LED
- 0.3V
- TP8005 LED
- 130 LED
- 150 LED
- LED
- PWM
- DIM
- DIM
- TP8005
- TP8005 LED
- TP8005 LED
- TP8005 LED
- TP8005 LED
- 95%
- 5V~36V
- 1.2A
- DIM PWM
- ±3%
- LED
- SOT89-5L
- LED
- LED
- LED
- LED





1	SW	
2	GND	
3	DIM	PWM
4	CS	VIN CS
5	VIN	
-	Exposed PAD	

1

VIN	GND	-0.3~+40	V
SW	GND	-0.3~+40	V
CS	VIN	-1.0~+1.0	V
DIM	GND	-0.3~+6	V
		1.2	A
	2	1.5	W
		-40~150	
		-50~150	
ESD	(HBM)	2000	V
ESD	(MM)	200	V

	VIN		0~36	V
	T _{OP}		-40~85	

1:

2

T_{JMAX} θ_{JA}

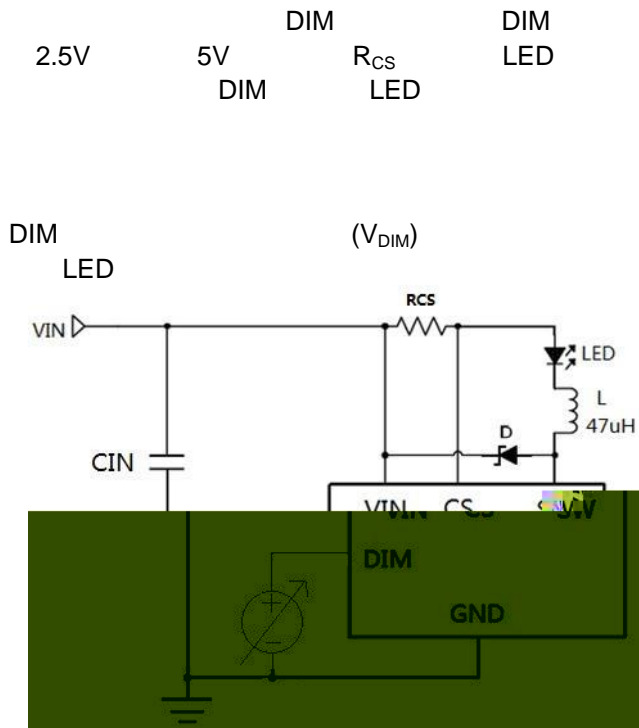
T_A

P_{DMAX}=(T_{JMAX}-T_A)/θ_{JA}

3

(Ta=25 VIN=12V)

V _{IN}			5		36	V
I _{OP}		V _{IN} =V _{CS} =12V	100	150	250	uA
V _{UVLO}		V _{IN}		4.2		V
V _{UVLO,HYS}		V _{IN}		4.0		V
V _{CS}		V _{IN} -V _{CS}	97	100	103	mV
V _{CS,HYS}				±15		%
I _{CS}	CS	V _{IN} -V _{CS} =50mV		8		μA
F _{SW}					1	MHz
DIM						
V _{DIM}	DIM	DIM		5		V
R _{DIM}	DIM			200		KΩ
I _{DIM_L}	DIM	V _{DIM} =0		25		μA
V _{DIM_H}	DIM		2.5			V



— (0.5V ≤ V_{DIM} ≤ 2.5V)

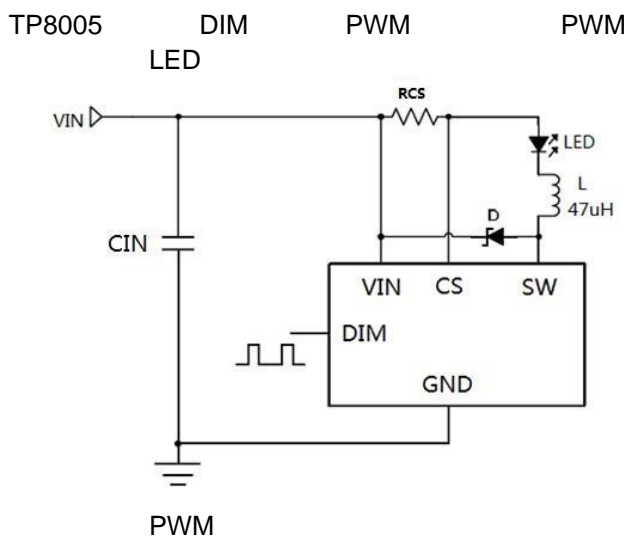
— (2.5V ≤ V_{DIM} ≤ 5.0V)

PWM LED 25% 20kHz
LED PWM 25% LED
LED LED LED
0% 100% PWM
100Hz PWM
TP8005

TP8005 130 LED
150 LED LED
DIM 0.3V
80μA

DIM LED DIM
150us/nF

PWM



— (0 ≤ D ≤ 100% 2.5V ≤ V_{PULSE} ≤ 5V)

— (0 ≤ D ≤ 100%, 0.5V ≤ V_{PULSE} ≤ 2.5V)

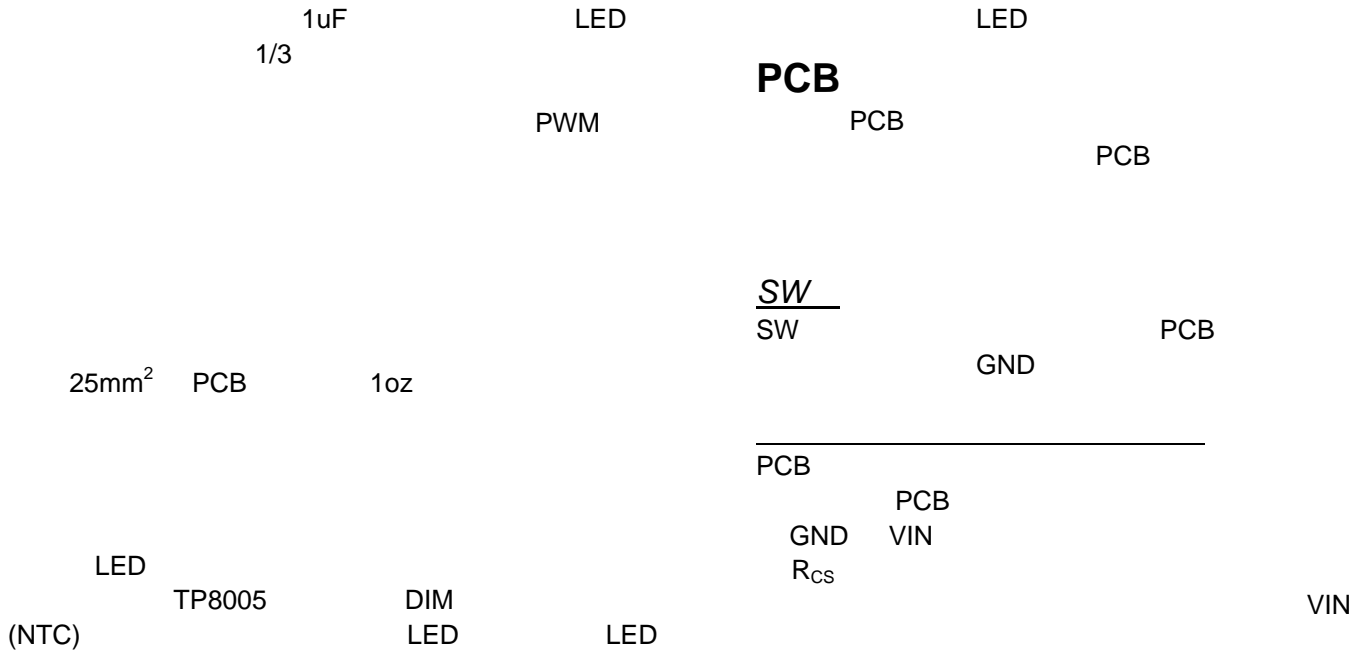
LED

TP8005 LED 0~1.2A
TP8005 LED 47uH 100uH
LED 30% 50%
(D5) 30%
85 AC12V

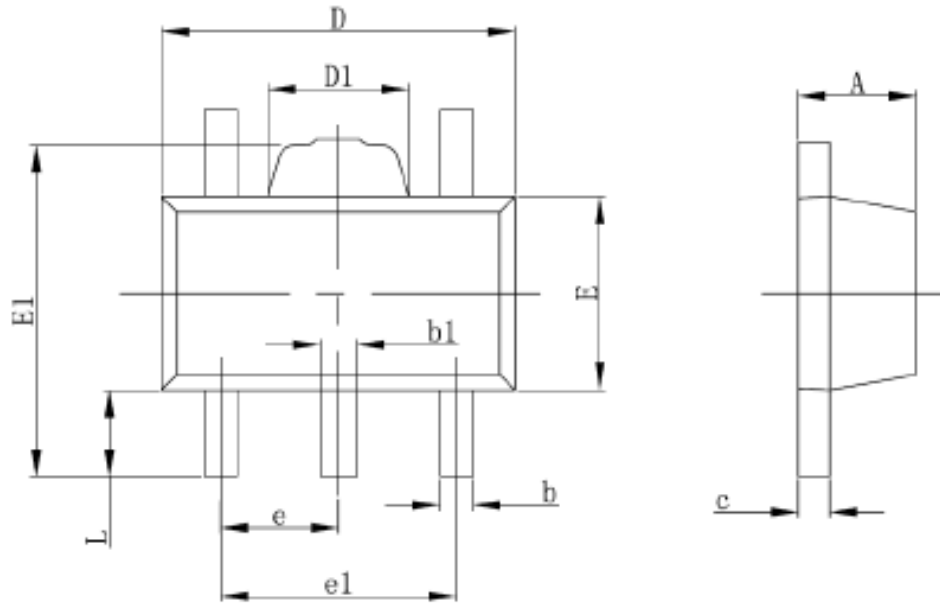
(D1~D4)

V_{PULSE} PWM

LED LED



SOT89-5L



Symbol	Dimensions In Millimeters		Dimensions In Inches	
	Min	Max	Min	Max
D	0.800	1.000	0.0315	0.0394
D1	0.300	0.500	0.0118	0.0197
E	0.800	1.000	0.0315	0.0394
E1	0.800	1.000	0.0315	0.0394
L	0.100	0.200	0.0039	0.0079
b1	0.100	0.200	0.0039	0.0079
b	0.100	0.200	0.0039	0.0079
e	0.100	0.200	0.0039	0.0079
e1	0.100	0.200	0.0039	0.0079
A	0.100	0.200	0.0039	0.0079
c	0.100	0.200	0.0039	0.0079