

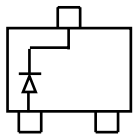
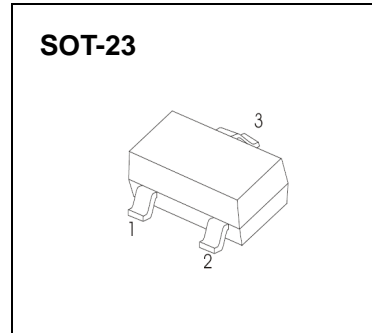


## SOT-23 Plastic-Encapsulate Diodes

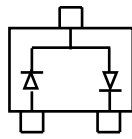
**BAS70/-04/-05/-06** SWITCHING DIODE

**FEATURES**

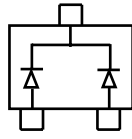
- Low turn-on voltage
- Fast switching
- Also available in lead free version



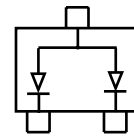
BAS70 Marking: 73



BAS70-04 Marking: 74



BAS70-05 Marking: 75



BAS70-06 Marking: 76

**MARKING:**

<b>BAS70</b>	<b>BAS70-04</b>	<b>BAS70-05</b>	<b>BAS70-06</b>
--------------	-----------------	-----------------	-----------------

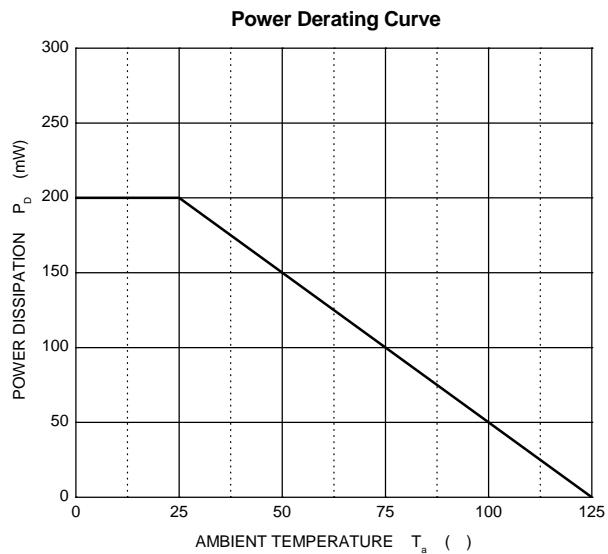
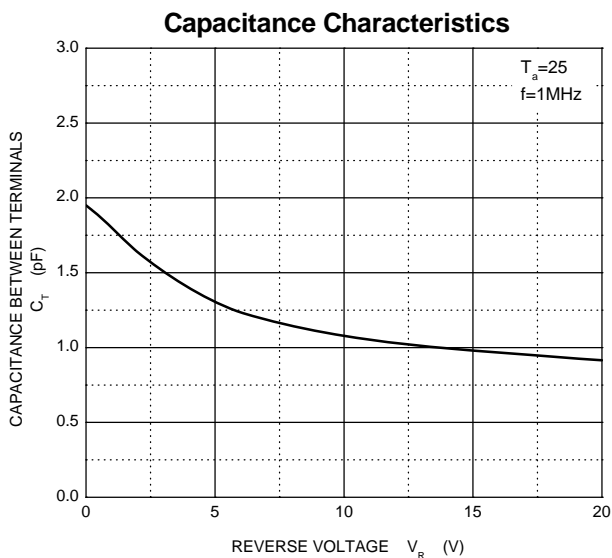
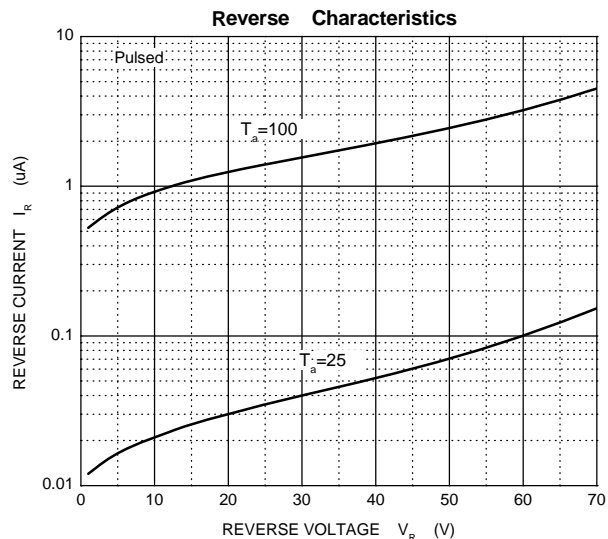
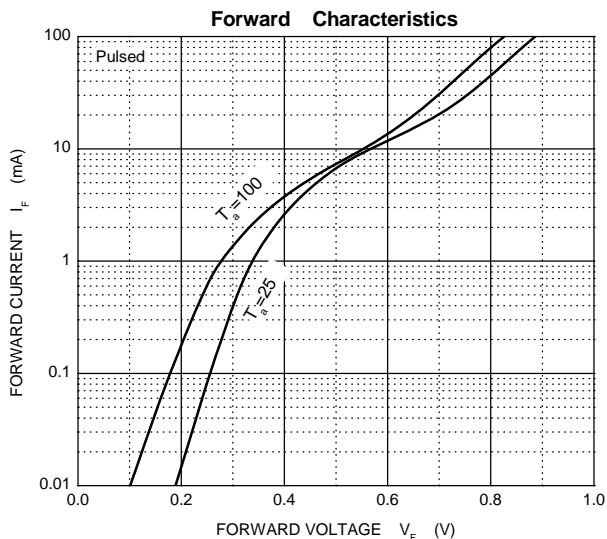
**MAXIMUM RATINGS @T a=25°C**

Symbol	Parameter	Value	Unit
$V_R$	DC Voltage	70	V
$I_F$	Forward Continuous Current	70	mA
$I_{FSM}$	Non-Repetitive Peak Forward Surge Current @ t = 8.3ms	100	mA
$P_D$	Power Dissipation	200	mW
$R_{JA}$	Thermal Resistance Junction to Ambient	500	°C/W
$T_J$	Junction Temperature	125	°C
$T_{stg}$	Storage Temperature	-55~+150	°C

**ELECTRICAL CHARACTERISTICS (Ta=25°C unless otherwise specified)**

Parameter	Symbol	Test conditions	Min	Max	Unit
Reverse breakdown voltage	$V_{(BR)}$	$I_R = 10\mu A$	70		V
Reverse voltage leakage current	$I_R$	$V_R = 50V$		100	nA
Forward voltage	$V_F$	$I_F = 1mA$ $I_F = 15mA$		410 1000	mV
Diode capacitance	$C_D$	$V_R = 0V$ f=1MHz		2	pF
Reverse recovery time	$t_{rr}$	$I_F = I_R = 10mA, I_{rr} = 0.1I_R,$ $R_L = 100$		5	ns

# Typical Characteristics



Note:

1. Controlling dimension

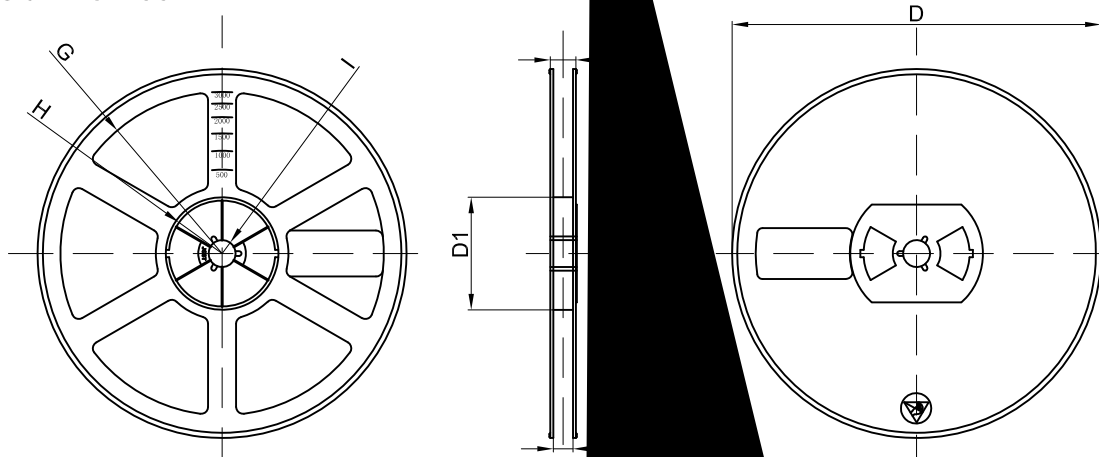
---

## SOT-23 Embossed Carrier Tape

Dimensions are in millimeter										
Pkg type	A	B	C	d	E	F	P0	P	P1	W
SOT-23	3.15	2.77	1.22	Ø1.50	1.75	3.50	4.00	4.00	2.00	8.00

## SOT-23 Tape Leader and Trailer

### SOT-23 Reel



Dimensions are in millimeter

Reel Option	
7" Dia	

REEL	Reel Size	Box	Box Size(mm)	Carton	Carton Size(mm)	G.W.(kg)
3000 pcs	7 inch	45,000 pcs	203×203×195	180,000 pcs	438×438×220	