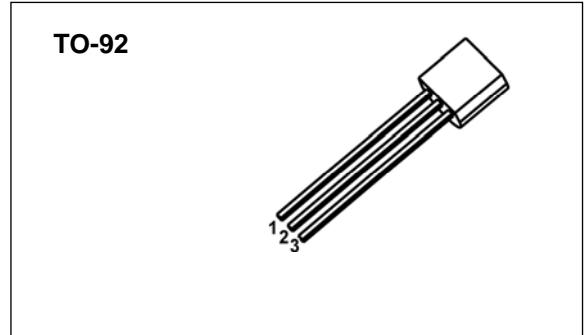




TO-92 Plastic-Encapsulate Transistors

3DD13003B

FEATURES



MAXIMUM RATINGS (T_a=25 unless otherwise noted)

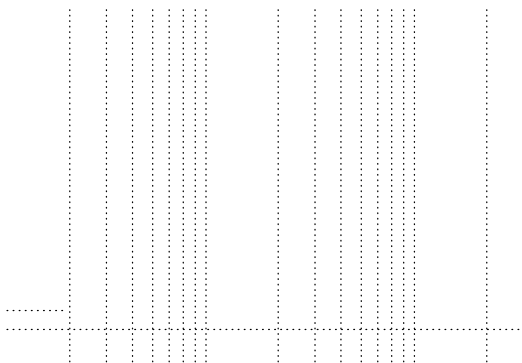
Symbol	Parameter	Value	Unit
V _{CB0}			
V _{CEO}			
V _{EBO}			
I _C			
P _C			
T _J			
T _{stg}		~	

ELECTRICAL CHARACTERISTICS (T_a=25 unless otherwise specified)

Parameter	Symbol	Test conditions	Min	Typ	Max	Unit
Collector-base breakdown voltage						
Collector-emitter breakdown voltage						
Emitter-base breakdown voltage						
Collector cut-off current						
Collector cut-off current						
Emitter cut-off current						
DC current gain						
Collector-emitter saturation voltage						
Base-emitter saturation voltage						
Transition Frequency						
Fall time						
Storage time						

CLASSIFICATION OF h_{FE}

Rank				
Range				



TO-92 PACKAGE TAPEING 1