



SOT-323 Plastic-Encapsulate Transistors

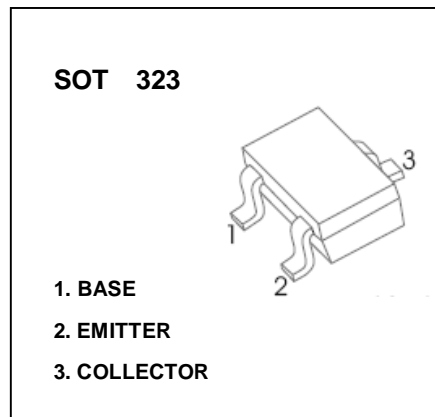
MMST5551

FEATURES

MARKING:K4N

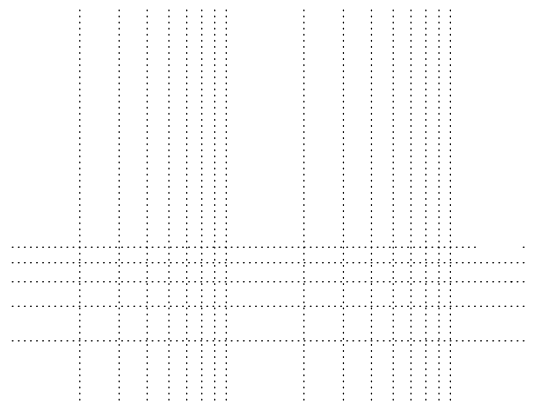
MAXIMUM RATINGS (T_a=25°C unless otherwise noted)

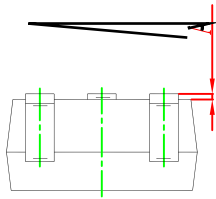
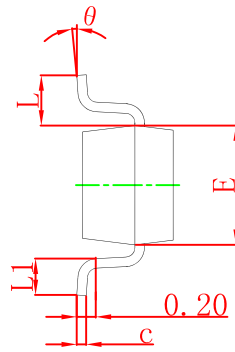
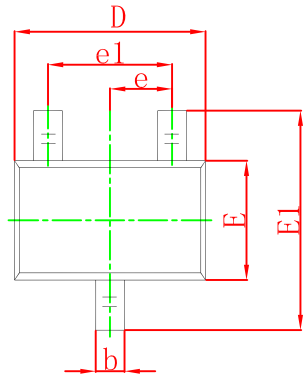
Symbol	Parameter	Value	Unit
V _{CBO}			
V _{CEO}			
V _{EBO}			
I _C			
P _C			
R _{JA}			°C
T _j			°C
T _{stg}		~	°C



ELECTRICAL CHARACTERISTICS (T_a=25°C unless otherwise specified)

Parameter	Symbol	Test conditions	Min	Typ	Max	Unit
Collector-base breakdown voltage						
Collector-emitter breakdown voltage						
Emitter-base breakdown voltage						
Collector cut-off current						
Emitter cut-off current						
DC current gain						
Collector-emitter saturation voltage						
Base-emitter saturation voltage						
Transition frequency						
Collector output capacitance						





NOTICE

JCET reserve the right to make modifications, enhancements, improvements, corrections or other changes without further notice to any product herein. JCET does not assume any liability arising out of the application or use of any product described herein.

